



## Dura-Ware® 2105 Series Siphon Jet Toilet - Off Floor



2105-W-1-CN

Fixture May Show Some Available Options



Please visit [www.acorneng.com](http://www.acorneng.com) for most current specifications.

### Siphon Jet Toilet - Off Floor

Fixture is arranged to be installed on finished wall from the front side. Unit is fabricated from 16 gage, type 304 stainless steel and is seamless welded construction. Exterior has a satin finish with an integral contoured seat. The inside of the toilet bowl also has a satin finish. Wall flange is reinforced for maximum strength.

**Toilet** is Siphon Jet type with elongated bowl manufactured to comply with ASME A112.19.3-2008 and CSA B45.4-2008 standards. Toilet requires a minimum of 25 PSI flow pressure and uses a minimum water consumption of 1.28 GPF. Trap has a minimum 3-1/2" seal, will pass a 2-1/8" ball and is fully enclosed. Toilet has a 1-1/2" NPT flush valve connection and a gasketed waste outlet.

**Flush Valve** supply is additionally available for exposed or concealed flush valve styles in 1.28 GPF, 1.6 GPF or 3.5 GPF with 1-1/2" NPT connection.

#### GUIDE SPECIFICATION

Provide and install Acorn Dura-Ware Siphon Jet Toilet (specify model number and options). Fixture shall be fabricated from 16 gage, type 304 stainless steel. Construction shall be seamless welded and exposed surfaces shall have a satin finish with an integral contoured toilet seat. Toilet shall be concealed Siphon Jet type with an elongated bowl and a self-draining flushing rim. Toilet shall be ASME A112.19.3-2008 and CSA B45.4-2008 compliant. Toilet requires a minimum of 25 PSI flow pressure and uses a minimum water consumption of 1.28 GPF. Toilet trap shall have a minimum 3-1/2" seal that shall pass a 2-1/8" diameter ball and be fully enclosed. Toilet waste outlet shall be a gasketed waste.

#### Compatible Water Closet Support

[www.jrsmith.com/uploads/fileLibrary/pm2584.pdf](http://www.jrsmith.com/uploads/fileLibrary/pm2584.pdf)

# Dura-Ware®: 2105 Siphon Jet Toilet - Off Floor



## WALL THICKNESS AND TYPE (Must Specify)

Thickness: \_\_\_\_\_ Type:  Concrete  Block  Steel

## MODEL NUMBER AND OPTIONS SELECTION:

### BASE MODEL NUMBER

2105 Siphon Jet Toilet

### SUPPLY (Must Specify)

-T Top (Exposed)  
 -W Wall (Concealed)

### FIXTURE MOUNTING AND WASTE (Must Specify)

-1 Off-Floor, Wall Outlet

### FLUSH VALVE GPFs (Must Specify)

-1.28 GPF (HET)  
 -1.6 GPF (Not Available in California)  
 -3.5 GPF (Not Available in California)

### FLUSH VALVE OPTIONS (Must Specify)

**\*REFER TO ACORN DURA-WARE ACCESSORIES FOR FLUSH VALVE COVER #2802, BOX #2803-1 AND PANEL #2898\***

-FV Flush Valve, Mechanical (N/A for ADA)  
 -FVBO Flush Valve by Others  
 -FVH Flush Valve, Hydraulic (N/A for Top Supply)  
 -FVL Flush Valve, ADA Lever Handle  
 -MVCFV Time-Trol Flush Valve (N/A for Top Supply)

## TOILET SEAT OPTIONS

-HPS High Polish Integral Seat  
 -HS-OFLC Hinged Seat, Open Front Less Cover  
 -HS-OFWC Hinged Seat w/ Cover  
 -PFS Punched for Seat by Others

## TOILET OPTIONS

-FT Flood-Trol (N/A with Top Supply)\*\*  
 -FTA Flood-Trol Auto-Reset (N/A with Top Supply)\*\*  
 -FTE Flood-Trol Electronic\*\*

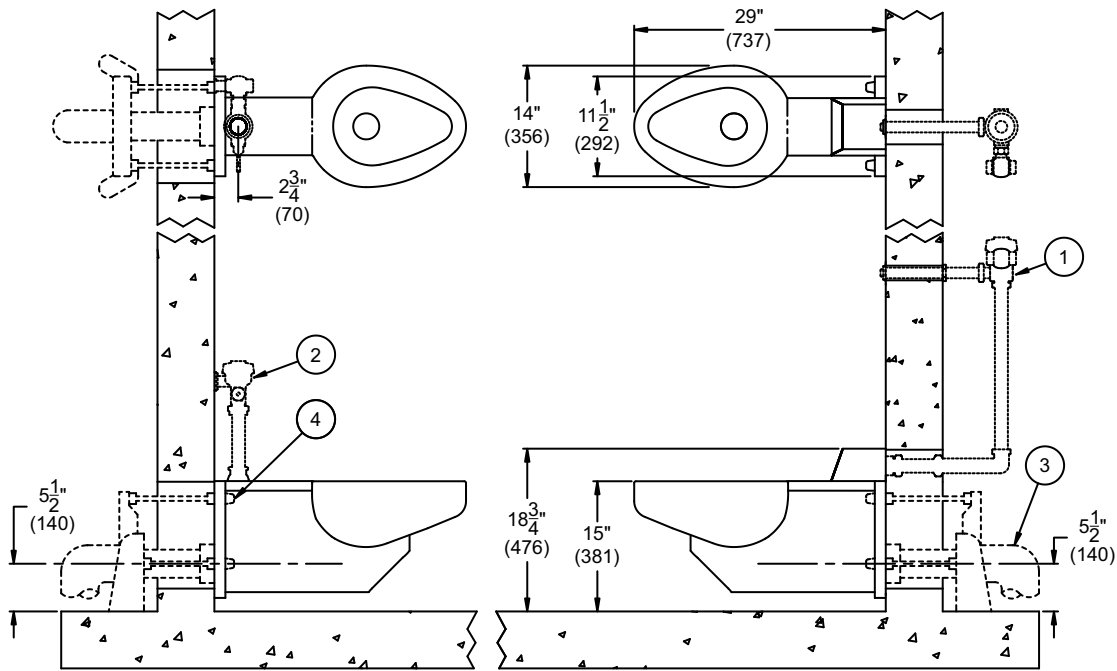
(NOTE: \*\*Not available with Top Supply. Requires min. 6" wall depth and Access Panel to install and service.)

-FVT Flush Thru Wall Connector  
 -PE Plain End Waste Extended 3" Beyond Rear of Fixture  
 -TSC Toilet Shipping Cover

## PRODUCT OPTIONS

-ADA 18" Integral Seat Height  
 -BCN Blind Cap Nuts (4)  
 -BL Bedpan Lugs  
 -CN Cap Nuts (4)  
 -EGE Enviro-Glaze Color Specify: \_\_\_\_\_  
 Toilet Exterior Only  
 -FG 14 Gage Housing  
 -TF Transformer, 120VAC to 24VAC (-MVCFV option)  
 -VAC AcornVac System

Please visit [www.acorneng.com](http://www.acorneng.com) for most current specifications.



### NOTES:

1. Optional -FV Flush Valve - Wall Supply
2. Optional -FV Flush Valve - Top Supply

3. Mounting Carrier (By Others)
4. Optional -CN Cap Nuts

**WARNING:** Cancer and Reproductive Harm - [www.P65Warnings.ca.gov](http://www.P65Warnings.ca.gov)

<p><b>Important:</b> Installation instructions and current rough-in are furnished with each fixture. Do not rough in without certified dimensions.                  Dimensions are subject to manufacturer's tolerance of plus or minus 1/4" and change without notice. Acorn assumes no responsibility for use of void or superseded data. © Copyright 2009 Acorn Engineering Company</p>	
<p style="text-align: center;">Selection Summary</p> <p>Model No. &amp; Option _____</p> <p>Quantity _____</p>	<p style="text-align: center;">Approved for Manufacturing</p> <p>Company _____ Title _____</p> <p>Signature _____ Date _____</p>